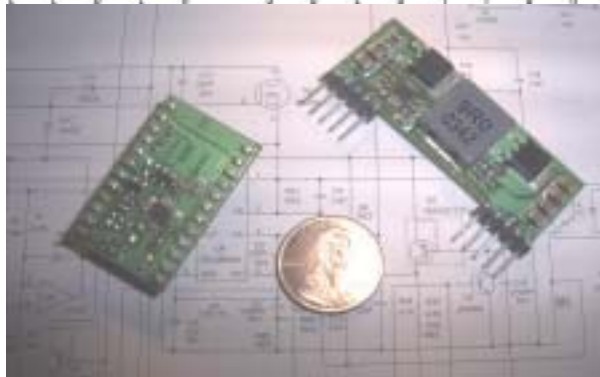


10 AMP DC-DC

GWBC10A

- Surface Mount & Thru-Hole Types
- Pick & Place Packaging
- 0.9V To 6.0V Outputs
- Programable Selectable Output
- Greater Than 95.5% Efficiency
- Remote On/Off
- Remote Sense
- 40C To +105C Operation
- Short Circuit Protection

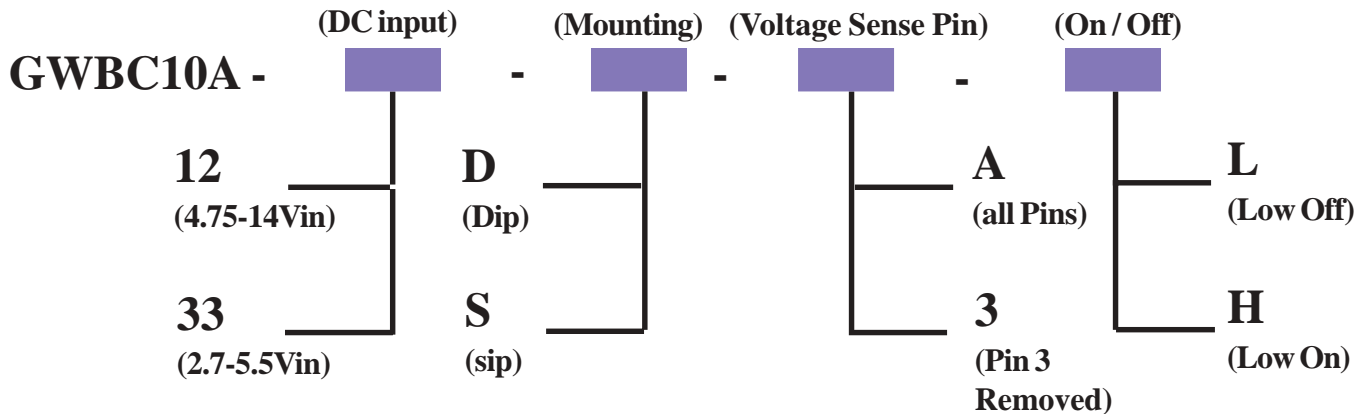


SMD & Thru-hole Mounting

*Low Profile 0.325"Ht. (DIP)
Open Frame Construction.*

The GWB10A series of DC-DC converters have been designed as a surface-mount & thru-hole solution for a wide range of applications where low profile and ease of assembly are needed. The GWB6A series packs up to 10.0 Amps of output Current in a "SIP" or "DIP", open frame construction. This 2.7-14Vdc Volt input, program selectable output Voltage of 0.9V to 6.0V, "Synchronous Rectified Converter" @ greater than 95.5% efficiency, Make this product ideally suited for low voltage applications

Model Number Chart



-12	
Output Voltage	DC Input Range
6.0 VDC	7.5-14VDC
5.0Vdc	6.5-14Vdc
.90 - 3.3VDC	4.75-14VDC

-33	
Output Voltage	DC Input Range
3.3 Vdc	4.75-5.50 Vdc
2.5 Vdc	3.0-5.5 Vdc
.90 - 1.8VDC	2.7-5.5 Vdc

Preliminary

Modifications and Customs available

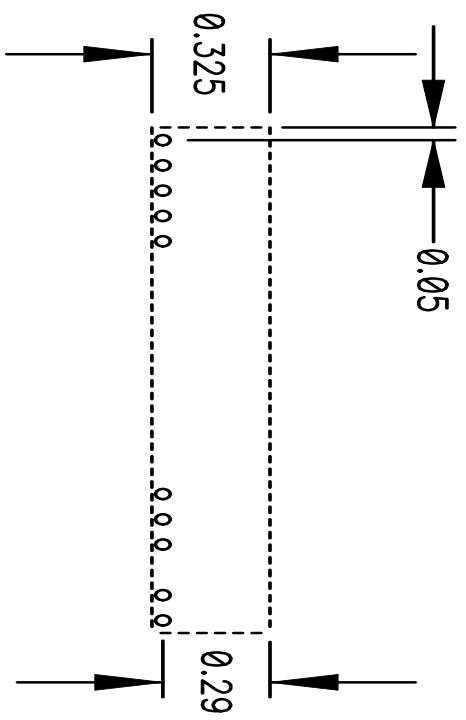
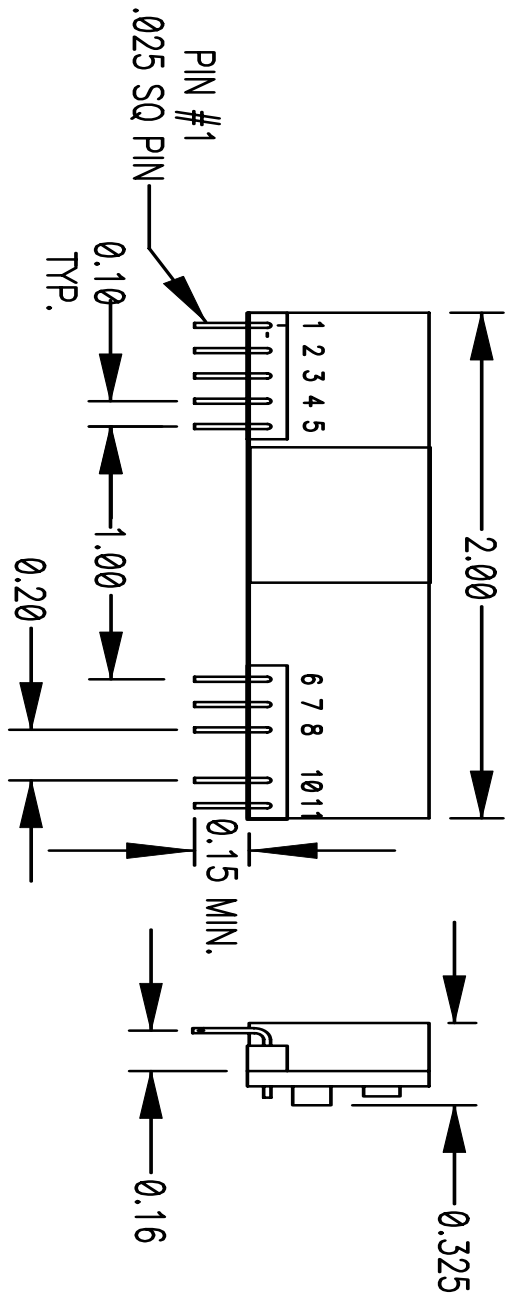
Specifications

Input		
Input Voltage	3.3/5/12Vdc
(Range)	See Model chart table
Input Capacitance	20uF (-12)
	44uf (-33)
Enable	Logic Level "1" or open
Disable	Logic Level "0"
	
	

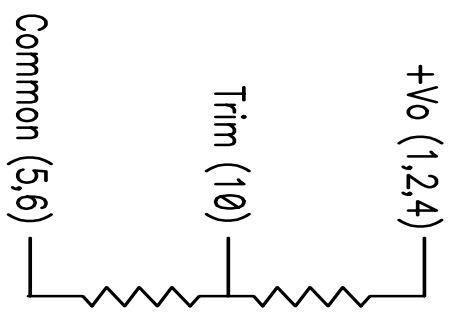
Output		
Output Range	+0.9Vdc - 6.0Vdc
		See model chart table
Output Setting Accuracy		+/-3%
Output Current	0.3A -10A
Load Regulation	+/- 1.5%
Line Regulation	+/- 0.5%
Ripple & Noise(20Mhz BW)	20mV typ.
Temperature Coefficient	+/- .01%/c
Transient Response (.5.0A-10A)	25uS
Current Limit	15A - 20.0A

Environmental		
Operating Temperature Range	-40C To +60C@ FL & 100LFM
Storage Temperature Range	-55C To +125C
Humidity	5% To 95% RH, Non-condensing
Cooling	Natural Convection
Processing	Solder reflow(See profile),water washable Dip/SMT version only

Mechanical		
Size77" X 1.27" X 0.300" (Dip)
		.50" X 2.00" X 0.35" (Sip)
Weight	6G
Mounting	SMD & Through Hole Types
Case/Material	Open-Frame, 94V-0 FR-4 P.C.B.

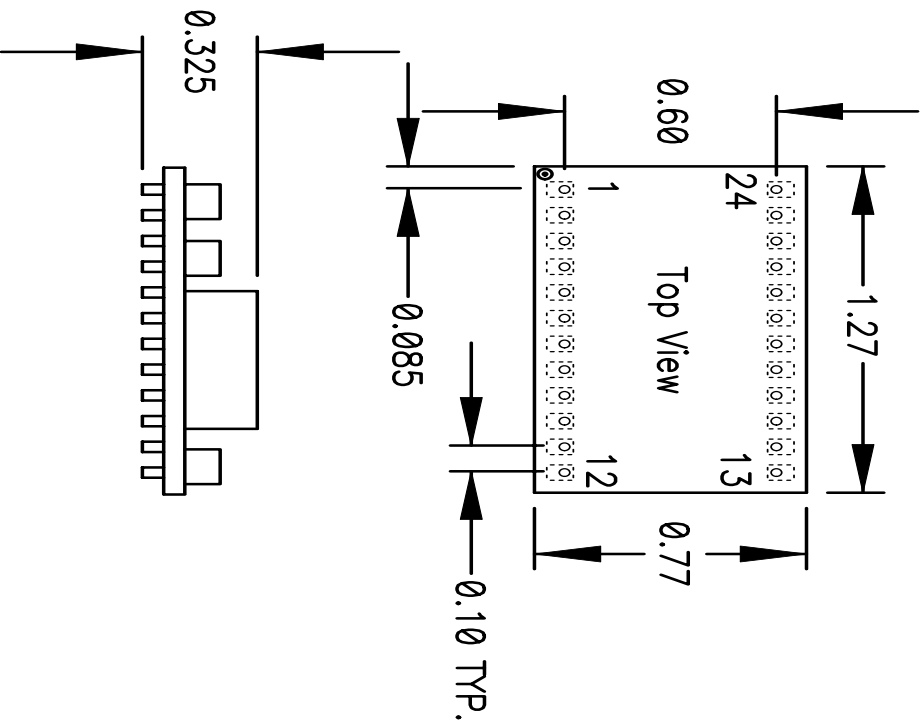


I/O CONNECTIONS	
PIN	FUNCTION
1,2,4	+V OUT
3	+SENSE
5,6	COMMON
7,8	+V IN
9	NO PIN
10	TRIM
11	S/D

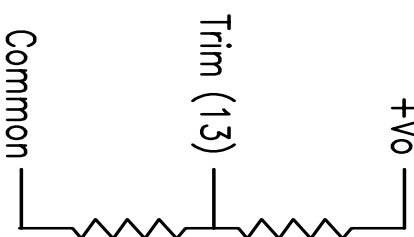


See web page for output trim value calculator

Sip Version (-S)



PIN CONNECTIONS	FUNCTION
PIN NUMBER	
1,2,3,19,24	+Vin
4,5,6,7,8,9,10, 11,20,21,22,23	COMMON
12	VS
13	TRIM
17	S/D
14,15,16	+Vout



See web page for output trim value calculator

Dip Version (-D)