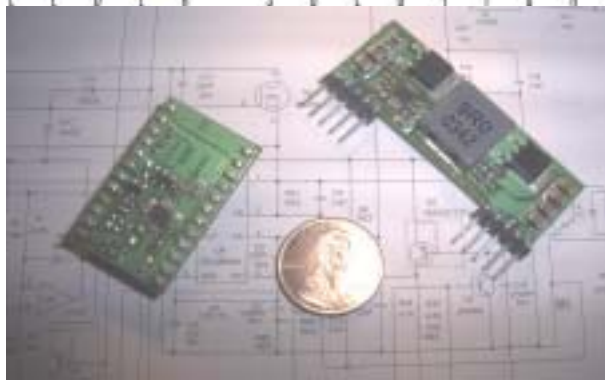


# 6 AMP DC-DC

## GWBC10A



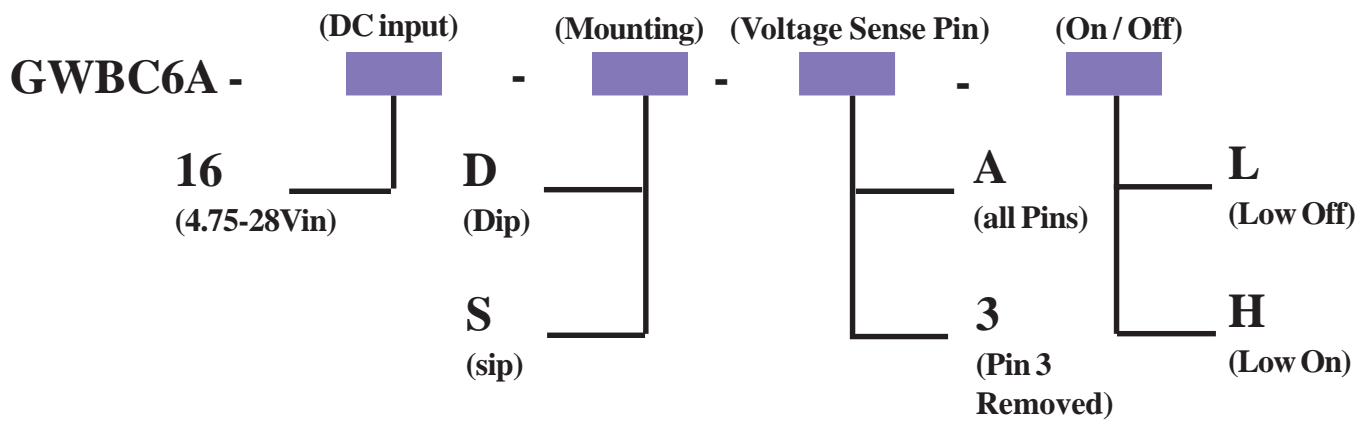
SMD & Thru-hole Mounting

*Low Profile 0.325"Ht. (DIP)  
Open Frame Construction.*

- Surface Mount & Thru-Hole Types
- Pick & Place Packaging
- 0.9V To 6.0V Outputs
- Programable Selectable Output
- Greater Than 95.5% Efficiency
- Remote On/Off
- Remote Sense
- 40C To +105C Operation
- Short Circuit Protection

The GWB6A series of DC-DC converters have been designed as a surface-mount & thru-hole solution for a wide range of applications where low profile and ease of assembly are needed. The GWB6A series packs up to 6.0 Amps of output Current in a "SIP" or "DIP", open frame construction. This 4.75-28Vdc input, program selectable output Voltage of 0.9V to 6.0V, "Synchronous Rectified Converter" @ greater than 95.5% efficiency, Make this product ideally suited for low voltage applications

### Model Number Chart



-12	
Output Voltage	DC Input Range
6.0 VDC	7.5-28VDC
5.0Vdc	6.5-28Vdc
.90 - 3.3VDC	4.75-28VDC

Wide input range

Modifications and Customs available

# Specifications

Input	
Input Voltage	..... 5/12/24Vdc
(Range)	..... See Model chart table
Input Capacitance	..... 4.4uF (-12)
Enable	..... Logic Level "1" or open
Disable	..... Logic Level "0"
	.....
	.....

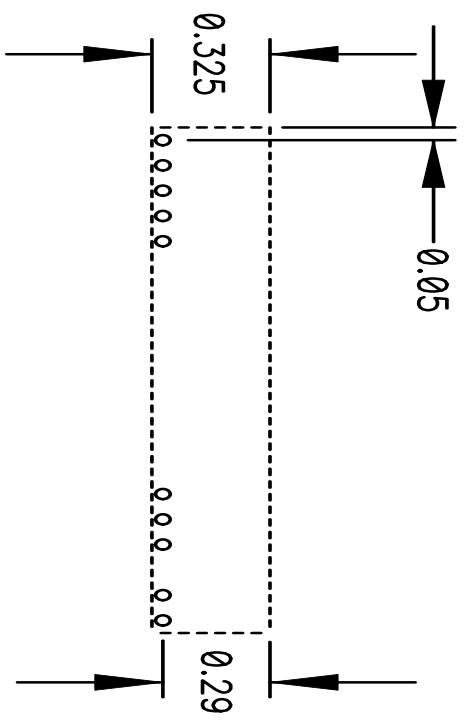
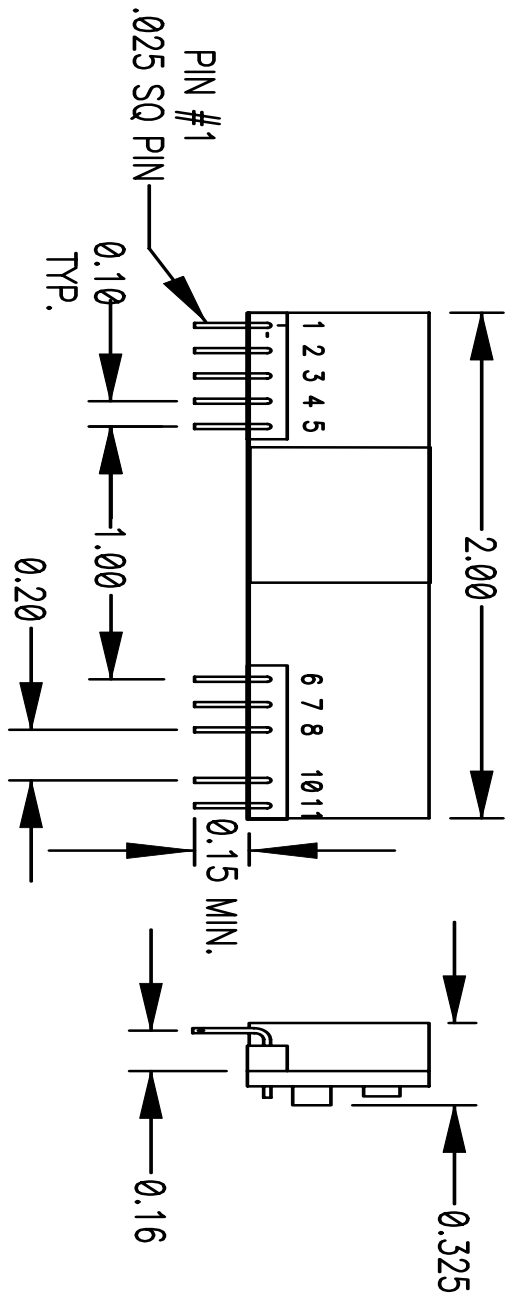
Output	
Output Range	..... +0.9Vdc - 6.0Vdc See model chart table
Output Setting Accuracy	..... +/-3%
Output Current	..... 0.3A -6A
Load Regulation	..... +/- .5%
Line Regulation	..... +/- 0.5%
Ripple & Noise(20Mhz BW)	..... 20mV typ.
Temperature Coefficient	..... +/- .01%/c
Transient Response (.5.0A-10A)	..... 25uS
Current Limit	..... 10A - 15A

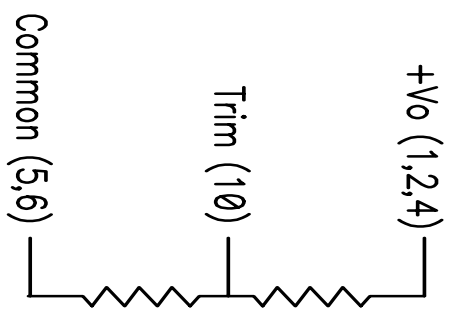
Environmental	
Operating Temperature Range	..... -40C To +60C@ FL & 100LFM
Storage Temperature Range	..... -55C To +125C
Humidity	..... 5% To 95% RH, Non-condensing
Cooling	..... Natural Convection
Processing	..... Solder reflow(See profile),water washable Dip/SMT version only

Mechanical	
Size	..... .77" X 1.27" X 0.300" (Dip) .50" X 2.00" X 0.35" (Sip)
Weight	..... 6G
Mounting	..... SMD & Through Hole Types
Case/Material	..... Open-Frame, 94V-0 FR-4 P.C.B.

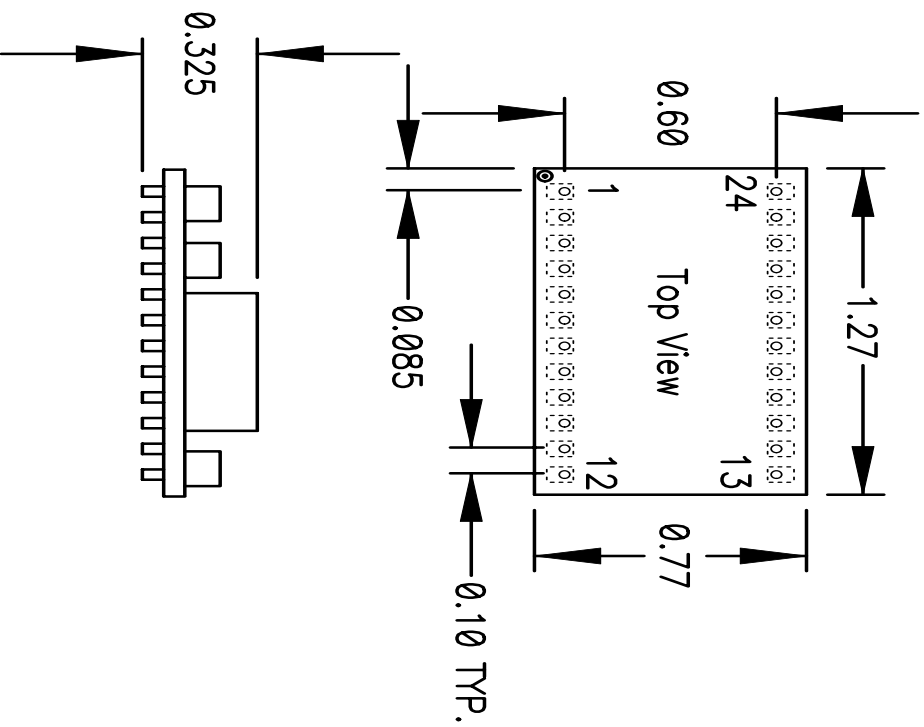


I/O CONNECTIONS	
PIN	FUNCTION
1,2,4	+V OUT
3	+SENSE
5,6	COMMON
7,8	+V IN
9	NO PIN
10	TRIM
11	S/D

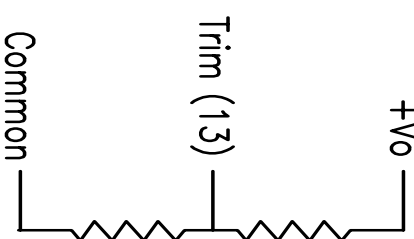


See web page for output trim value calculator

### Sip Version (-S)



PIN CONNECTIONS	FUNCTION
PIN NUMBER	
1,2,3,19,24	+Vin
4,5,6,7,8,9,10, 11,20,21,22,23	COMMON
12	VS
13	TRIM
17	S/D
14,15,16	+Vout



See web page for output trim value calculator

## Dip Version (-D)