



**BRS20-30 WATT,
SINGLE & DUAL OUTPUT
AC-DC OPEN FRAME CONVERTER
(RoHS Compliant)**

**BRS20-30Watt, Single & Dual Output,
AC-DC Open Frame Converter**

FEATURES:

- Universal Input 90~264VAC
- High Efficiency Up To 84%
- Short Circuit Protection
- Internal Input Filter
- 2 Years Warranty
- Open Frame



Specifications typical at TA=25C, nominal input voltage and rated output current unless otherwise specified.

Part Number	Input Voltage	Output Wattage	Output Voltage	Output Current	Efficiency
	VAC	W	VDC	mA	Typ %
BRS025-S02-01	90-264	25	2.5	1000	76
BRS025-S03-01	90-264	25	3.3	8000	76
BRS030-S05-01	90-264	30	5	6000	79
BRS030-S12-01	90-264	30	12	2500	80
BRS030-S15-01	90-264	30	15	2000	84
BRS030-S24-01	90-264	30	24	1250	84
BRS030-D12-01	90-264	30	+/-12	+/-1250	83
BRS030-D15-01	90-264	30	+/-15	+/-1000	84
BRS020-D0503-01	90-264	20	+5/+3.3	+3A/+1.5A	71
BRS030-D0512-01	90-264	30	+5/+12	+3A/+1.25A	81

Input Specifications:

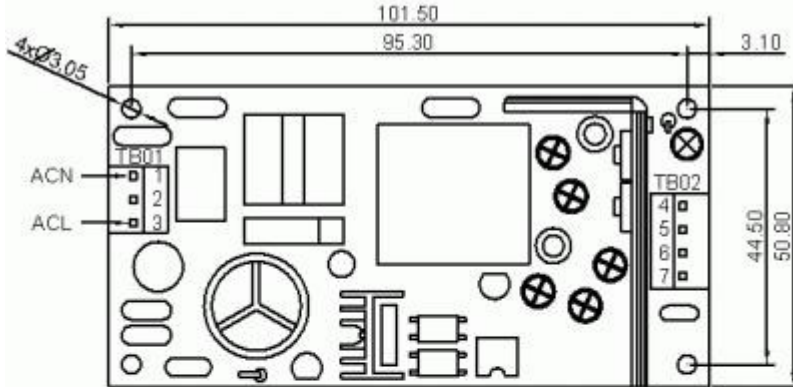
Parameters	Conditions	Min	Typical	Max	Units
Rated Input Voltage	Lo nom		100-240		Vac
Voltage Range	Lo nom AC in	90		264	Vac
	DC in	120		370	Vdc
Line Frequency	Vi nom	47		63	Hz
Inrush Current	To nom Vi:115VAC			12	A
	Vi:230VAC			20	A

AC/DC CONVERTERS BRS20-30WATT		SINGLE & DUAL OUTPUT SERIES			
Output Specifications:					
Parameters	Conditions	Min	Typical	Max	Units
Output Voltage Accuracy	Vi nom, lo nom			+/-5	%
Minimum Load	Vi nom Single Output Models	0			%
	Dual Output Models (each output)	20			%
Line Regulation	Lo nom, Vi min...Vi max			+/-1	%
Load Regulation	Vi nom Single Output Models			+/-2	%
	Dual Output Models			+/-5	%
	5V at dual output model			+/-2	
Transient Recovery time	Vi nom, lo nom=0.5 lo nom		500		uS
Temp. Coefficient	Vi nom, lo nom			+/-0.02	% /C
Ripple & Noise	Vi nom, lo nom BW=20MHz			150	mVp-p
Efficiency	Vi nom , lo nom, Po/Pi	Up to 84% (See model list)			

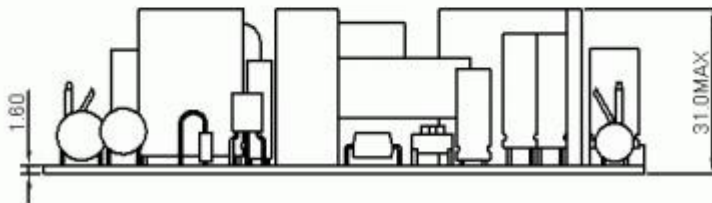
General Specifications:						
Parameters	Conditions	Min	Typical	Max	Units	
Switching Frequency	Vi nom, lo nom	100			KHz	
Isolation Voltage	Input/Output	3000			Vac	
Isolation Resistance	Input/Output @ 500Vdc	100			M	
Operating Temp	Operating at Vi nom, lo nom	-20			+70	C
Derating	Vi nom to nom +51 to 71C			2	%/C	
Storage Temp	Non Operational	-40		+85	C	
Relative Humidity	Vi nom, lo nom			95	% RH	
Dimension	L101.60 W50.80 x H30.48					
Cooling	Free air convection					
Case Material	Plastic					

International Coil, Inc./Acute Power, 15 Jonathan Drive, Unit 1, Brockton, MA 02301

MARKINGS AND DIMENSIONS



TB01	MODEL		
PIN	Single	Dual	Dual
1	ACN	ACN	ACN
2	No Pin	No Pin	No Pin
3	ACL	ACL	ACL
TB02			
4	+Vo	+Vo	+Vo1
5	+Vo	Com	+Vo2
6	Com	Com	Com
7	Com	-Vo	Com



Unit : mm

Unless otherwise specified, all tolerances are ± 0.50